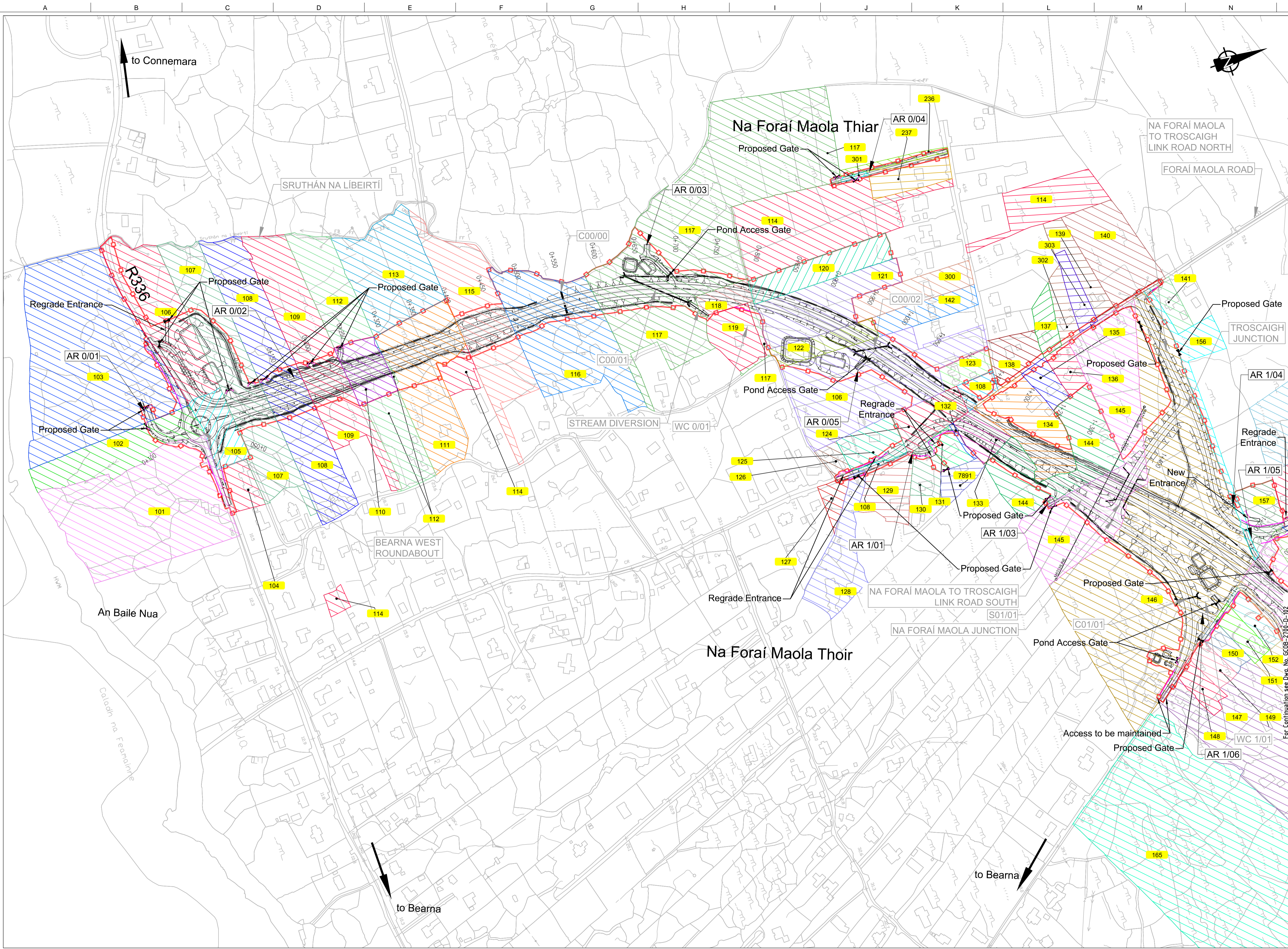


A1
1
2
3
4
5
6
7
8
9
10



DESIGN REPORT

- Legend:**
- City Boundary
 - Proposed Development Boundary
 - Proposed Road Development
 - Structure
 - Proposed Gate
 - Proposed Access Entrance
 - Masonry wall
 - Landowners Land Plot

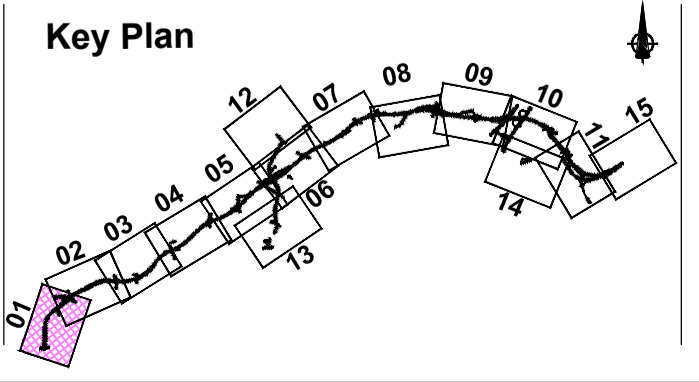
San áireamh tá sonraíocht Shuirbhíreacht Ordnáis Éireann arna áitirgeadh faoi Cheadúnas OSI Uimh. 2010/19CCMA/Comhairle Contae na Gaillimhe. Sírtaonn áitirgeadh neamhdáraithe cóipeacht Shuirbhíreacht Ordnáis Éireann agus Rialtas na hÉireann. © Suirbhíreacht Ordnáis Éireann, 2010.

© Suirbhíreacht Ordnáis Éireann. Gach ceart ar chosaint. Uimhir cheadúnais 2010/19CCMA/Comhairle Contae na Gaillimhe.

Includes Ordnance Survey Ireland data reproduced under OSI Licence number 2010/19CCMA/Galway County Council. Unauthorised reproduction infringes Ordnance Survey Ireland and Government of Ireland copyright. © Ordnance Survey Ireland, 2010.

© Ordnance Survey Ireland. All rights reserved. Licence number 2010/19CCMA/Galway County Council.

Clients



Consultant

Corporate House
City East Business Park
Ballybrit, Galway, Ireland.

Tel +353 (0)91 460675
www.N6GalwayCity.ie
www.arup.ie

Job Title
N6 Galway City Ring Road

Scale
1:5000 @ A3

Date
February 2018

Issue	Date	By	Chkd	Appd
I4	14/02/2019	KJ	HK	EMC
I3	26/07/2018	KJ	HK	EMC
I2	10/04/2018	KJ	MH	EMC
I1	22/02/2018	KJ	MH	EMC

Drawing Title
**Accommodation Works Plan
CH.0+000 to CH.1+350
Sheet 1 of 15**

Drawing Status
For Information

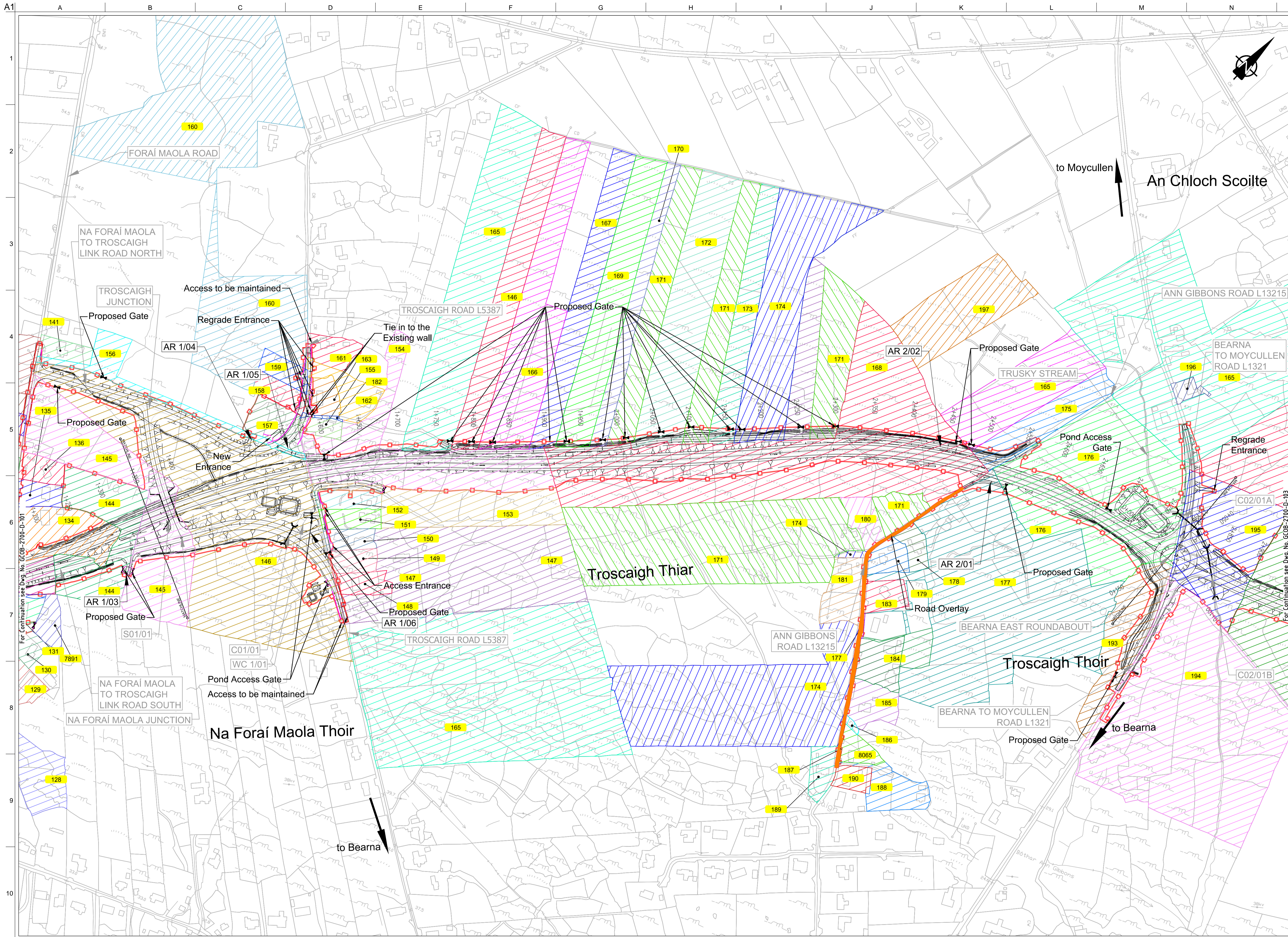
Job No
233985

Drawing No
GCOB-2700-D-101

Issue
14

DESIGN REPORT

- Legend:**
- City Boundary
 - Proposed Development Boundary
 - Proposed Road Development
 - Structure
 - Proposed Gate
 - Proposed Access Entrance
 - Masonry wall
 - Landowners Land Plot



For Continuation see Dwg. No. GCOB-2700-D-103

San áireamh tá sonraíocht Shuirbhíreachtóirí Ordánais Éireann arna aistriú go dtailíocht físeála Cheadúnas OSI Umh. 2010/19CCMA/Comhairle Contae na Gaillimhe. Sírtaíonn aistriú go dtailíocht físeála cópáil Shuirbhíreachtóirí Ordánais Éireann agus Riailtas na hÉireann. © Suirbhíreachtóirí Ordánais Éireann, 2010.

© Suirbhíreachtóirí Ordánais Éireann. Gach ceart ar chosaint. Umhír cheadúnas 2010/19CCMA/Comhairle Contae na Gaillimhe.

Includes Ordnance Survey Ireland data reproduced under OSI Licence number 2010/19CCMA/Galway County Council. Unauthorised reproduction infringes Ordnance Survey Ireland and Government of Ireland copyright. © Ordnance Survey Ireland, 2010.

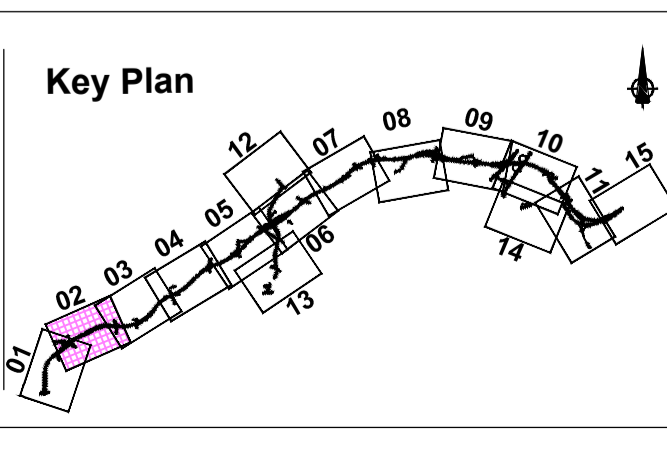
© Ordnance Survey Ireland. All rights reserved. Licence number 2010/19CCMA/Galway County Council.

Clients

Comhairle Chontae na Gaillimhe
Galway County Council

An Roinn Iompair
Turasoireachta agus Spóirt
Department Transport, Tourism and Sport

TIU
Transport Infrastructure Unit



Consultant

ARUP

Corporate House
City East Business Park
Ballybrit, Galway, Ireland.

Tel +353 (0)91 460675
www.N6GalwayCity.ie
www.arup.ie

Job Title
N6 Galway City Ring Road

Scale
1:5000 @ A3

Date:
February 2018

I4	14/02/2019	KJ	HK	EMC
I3	26/07/2018	KJ	HK	EMC
I2	10/04/2018	KJ	MH	EMC
I1	22/02/2018	KJ	MH	EMC
Issue	Date	By	Chkd	Appd

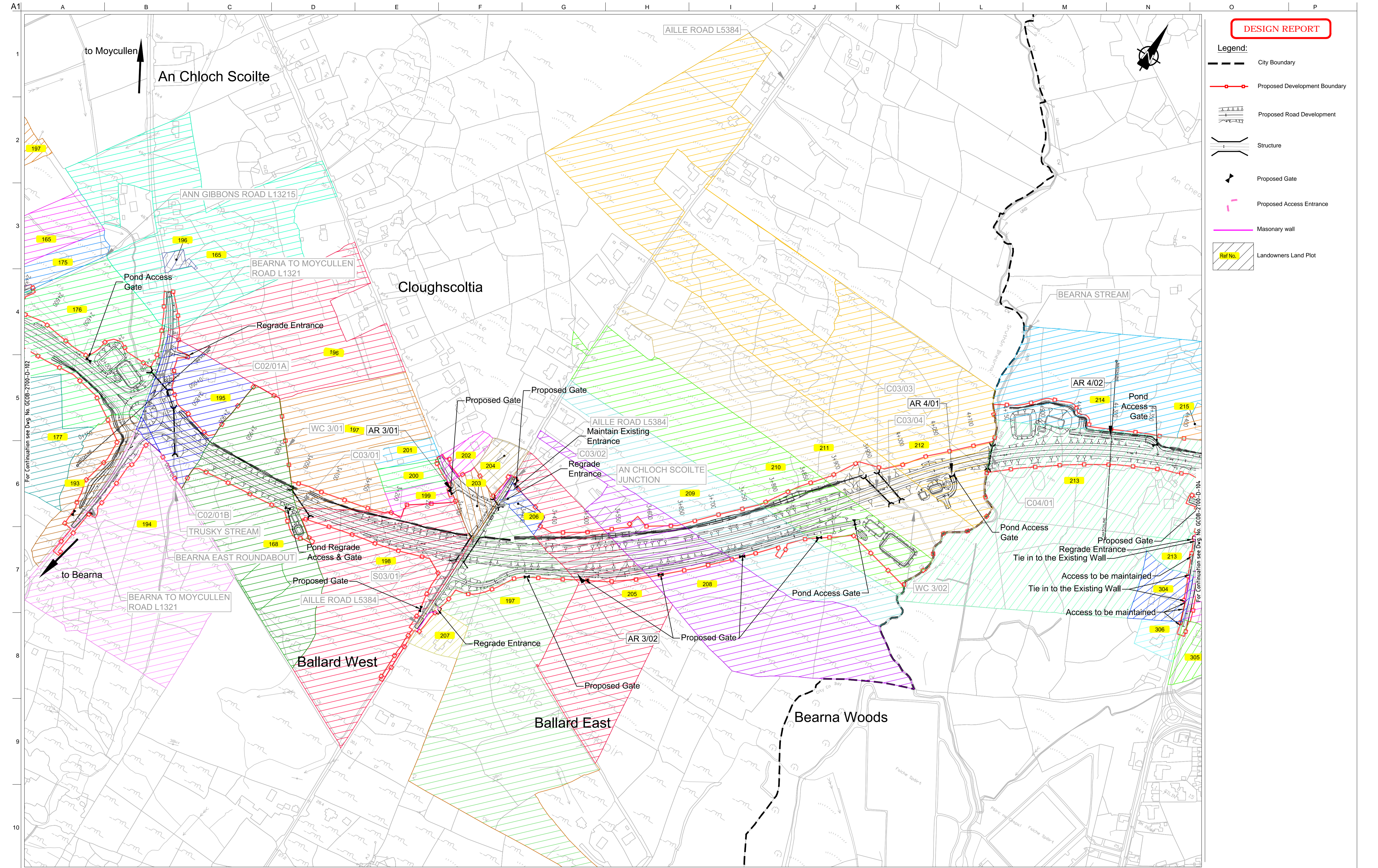
Drawing Title
Accommodation Works Plan
CH.1+350 to CH.2+799
Sheet 2 of 15

Drawing Status
For Information

Job No
233985

Drawing No
GCOB-2700-D-102

Issue
14



DESIGN REPORT

- Legend:**
- City Boundary
 - Proposed Development Boundary
 - Proposed Road Development
 - Structure
 - Proposed Gate
 - Proposed Access Entrance
 - Masonry wall
 - Landowners Land Plot

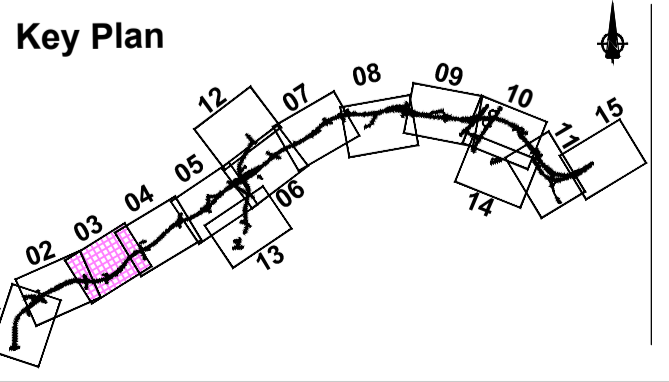
San áireamh tá sonraíocht Shuirbhíreachtí Ordánais Éireann arna áitirgeadh faoi Cheadúnas OSi Uimh. 2010/19CCMA/Comhairle Contae na Gaillimhe. Sírtaíonn áitirgeadh neamhdáraithe cóipeacht Shuirbhíreachtí Ordánais Éireann agus Rialtas na hÉireann. © Suirbhíreachtí Ordánais Éireann, 2010.

© Suirbhíreachtí Ordánais Éireann. Gach ceart ar chosaint. Uimhir cheadúnais 2010/19CCMA/Comhairle Contae na Gaillimhe.

Includes Ordnance Survey Ireland data reproduced under OSI Licence number 2010/19CCMA/Galway County Council. Unauthorised reproduction infringes Ordnance Survey Ireland and Government of Ireland copyright. © Ordnance Survey Ireland, 2010.

© Ordnance Survey Ireland. All rights reserved. Licence number 2010/19CCMA/Galway County Council.

Clients



Consultant

Corporate House
City East Business Park
Ballybrit, Galway, Ireland.

Tel +353 (0)91 460675
www.N6GalwayCity.ie
www.arup.ie

Job Title
N6 Galway City Ring Road

Scale
1:5000 @ A3

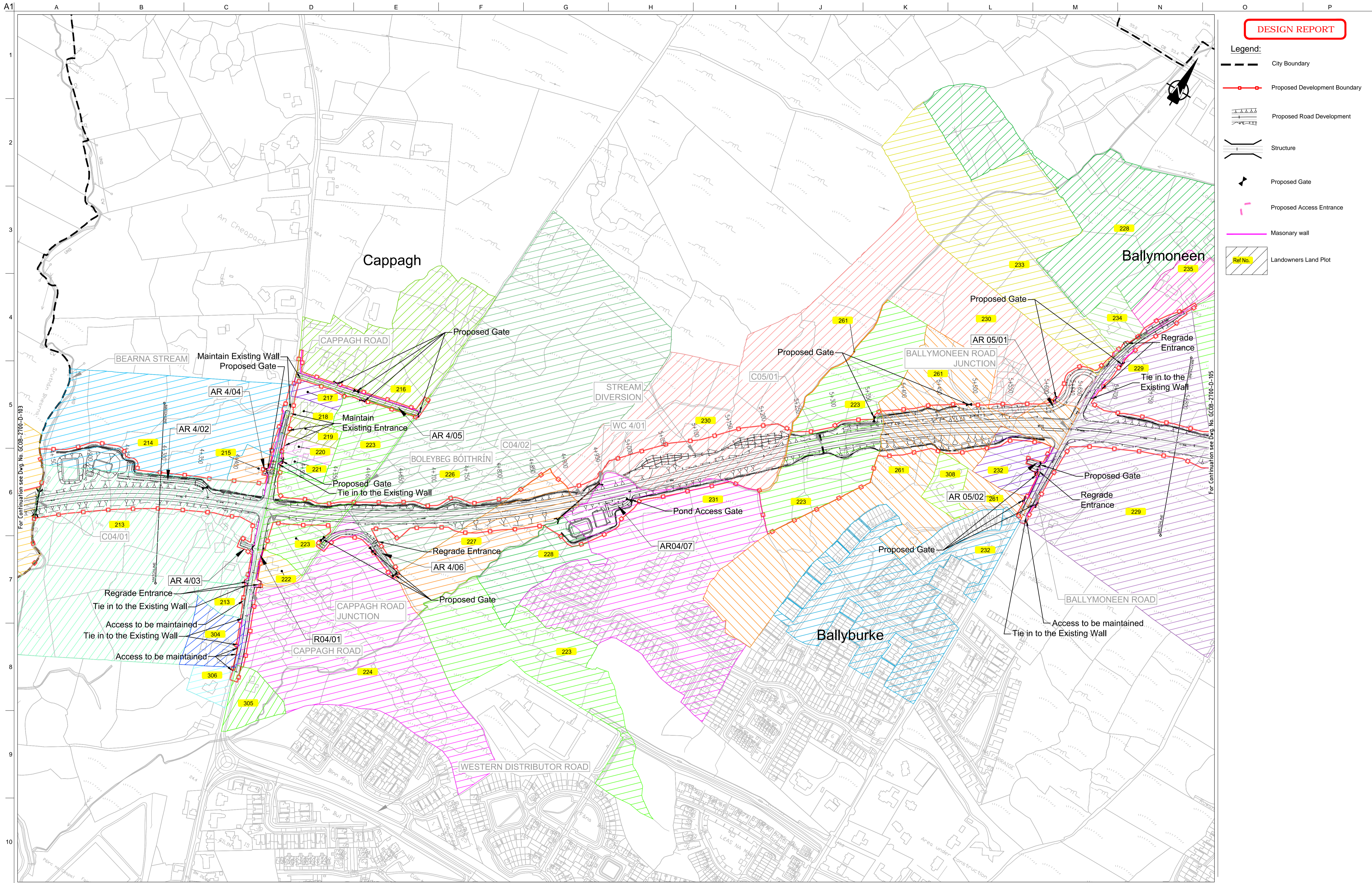
Date:
February 2018

I4	14/02/2019	KJ	HK	EMC
I3	26/07/2018	KJ	HK	EMC
I2	10/04/2018	KJ	MH	EMC
I1	22/02/2018	KJ	MH	EMC
Issue	Date	By	Chkd	Appd

Drawing Title
Accommodation Works Plan
CH.2+799 to CH.4+300
Sheet 3 of 15

Drawing Status
For Information

Job No	Drawing No	Issue
233985	GCOB-2700-D-103	14



DESIGN REPORT

Legend:

- City Boundary
- Proposed Development Boundary
- Proposed Road Development
- Structure
- Proposed Gate
- Proposed Access Entrance
- Masonry wall
- Landowners Land Plot

Son áireamh tá sonraíocht Shuirbhíreachtí Ordánais Éireann arna áitirgeadh faoi Cheadúnas OSI Uimh. 2010/19CCMA/Comhairle Contae na Gaillimhe. Sírúitinn áitirgeadh neamhdáraithe cóipeacht Shuirbhíreachtí Ordánais Éireann agus Bialtas na hÉireann. © Suirbhíreachtí Ordánais Éireann, 2010.

© Suirbhíreachtí Ordánais Éireann. Gach ceart ar chosaint.
Uimhir cheadúnais 2010/19CCMA/Comhairle Contae na Gaillimhe.

Includes Ordnance Survey Ireland data reproduced under OSI Licence number 2010/19CCMA/Galway County Council.
Unauthorised reproduction infringes Ordnance Survey Ireland and Government of Ireland copyright. © Ordnance Survey Ireland, 2010.

© Ordnance Survey Ireland. All rights reserved. Licence number 2010/19CCMA/Galway County Council.

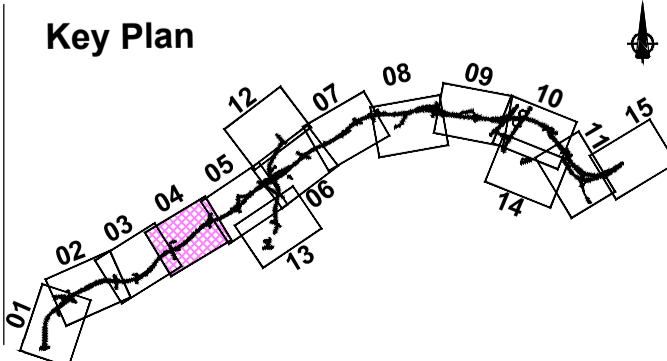
Clients

Comhairle Chontae na Gaillimhe
Galway County Council

N6
Galway City Transport Project

An Roinn Iompair
Turasoireacht agus Spóirt

TIU
Bonnagar Iompair Éireann



Consultant

ARUP

Corporate House
City East Business Park
Ballybrit, Galway, Ireland.

Tel +353 (0)91 460675
www.N6GalwayCity.ie
www.arup.ie

Job Title
N6 Galway City Ring Road

Scale
1:5000 @ A3

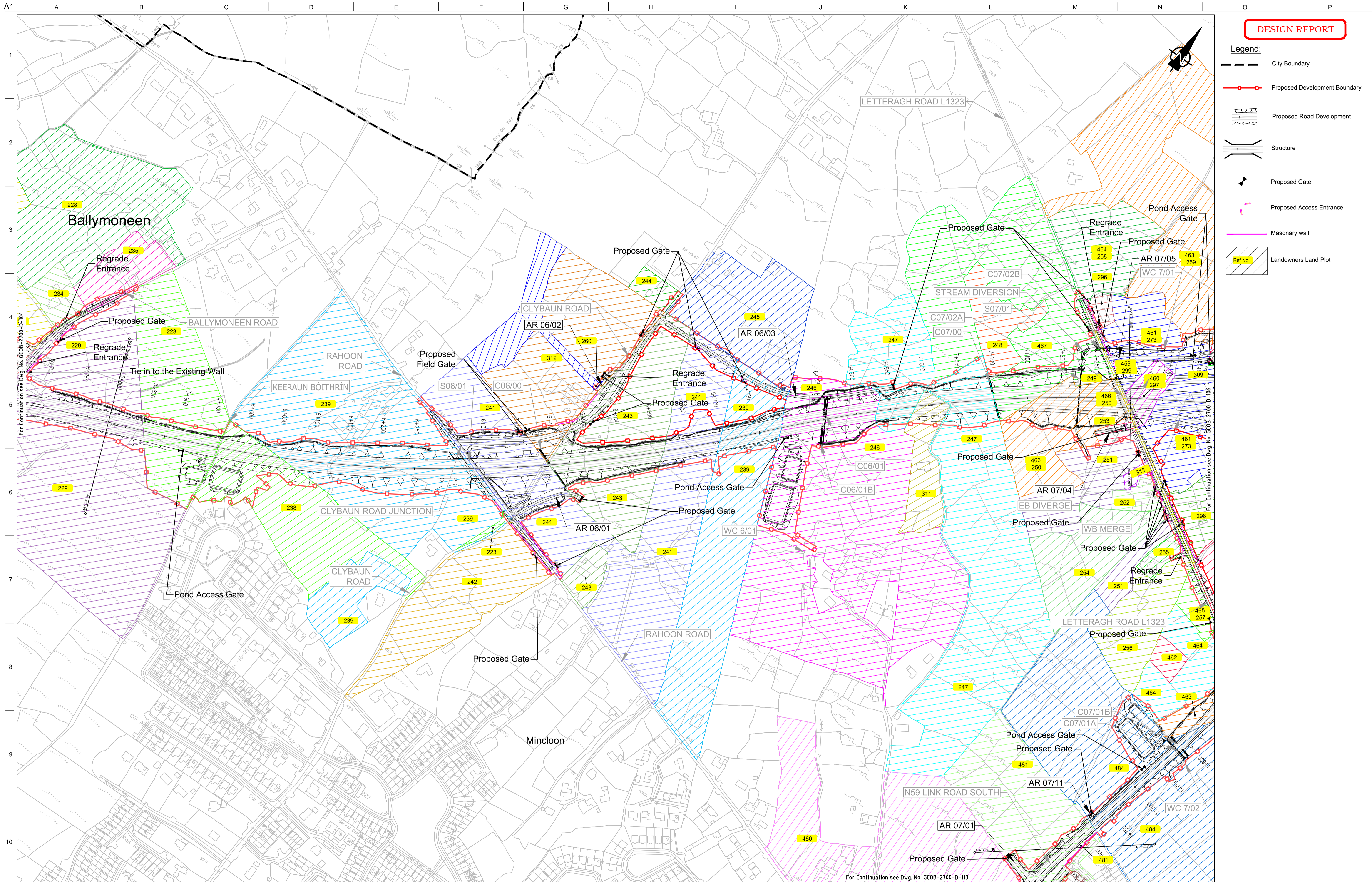
Date:
February 2018

I4	14/02/2019	KJ	HK	EMC
I3	26/07/2018	KJ	HK	EMC
I2	10/04/2018	KJ	MH	EMC
I1	22/02/2018	KJ	MH	EMC
Issue	Date	By	Chkd	Appd

Drawing Title
Accommodation Works Plan
CH.4+300 to CH.5+800
Sheet 4 of 15

For Information

Job No	Drawing No	Issue
233985	GCOB-2700-D-104	14



DESIGN REPORT

Legend:

- City Boundary
- Proposed Development Boundary
- Proposed Road Development
- Structure
- Proposed Gate
- Proposed Access Entrance
- Masonry wall
- Landowners Land Plot

Son áireamh tá sonraíocht Shairbhéireacht Ordnáis Éireann arna aistriú go dtí foirm Cheadúnas OSI Uimh. 2010/19CCMA/Comhairle Contae na Gaillimhe. Sírúint ar aistriú na n-áireamh na cóscheart Shairbhéireacht Ordnáis Éireann agus Riail na hÉireann. © Sairbhéireacht Ordnáis Éireann, 2010.

© Sairbhéireacht Ordnáis Éireann. Gach ceart ar chosaint. Uimhir cheadúnas 2010/19CCMA/Comhairle Contae na Gaillimhe.

Includes Ordnance Survey Ireland data reproduced under OSI Licence number 2010/19CCMA/Galway County Council. Unauthorised reproduction infringes Ordnance Survey Ireland and Government of Ireland copyright. © Ordnance Survey Ireland, 2010.

© Ordnance Survey Ireland. All rights reserved. Licence number 2010/19CCMA/Galway County Council.

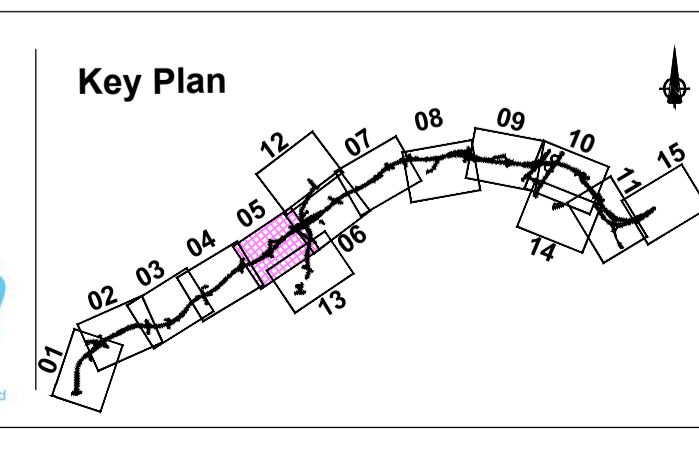
Clients

Comhairle Chontae na Gaillimhe
Galway County Council

N6
Galway City Transport Project

An Roinn Iompair
Turasoireacht agus Spóirt

TIU
Bonnagar Iompair Éireann



Consultant

ARUP

Corporate House
City East Business Park
Ballybrit, Galway, Ireland.

Tel +353 (0)91 460675
www.N6GalwayCity.ie
www.arup.ie

Job Title
N6 Galway City Ring Road

Scale
1:5000 @ A3

Date:
February 2018

Issue	Date	By	Chkd	Appd
I4	14/02/2019	KJ	HK	EMC
I3	26/07/2018	KJ	HK	EMC
I2	10/04/2018	KJ	MH	EMC
I1	22/02/2018	KJ	MH	EMC

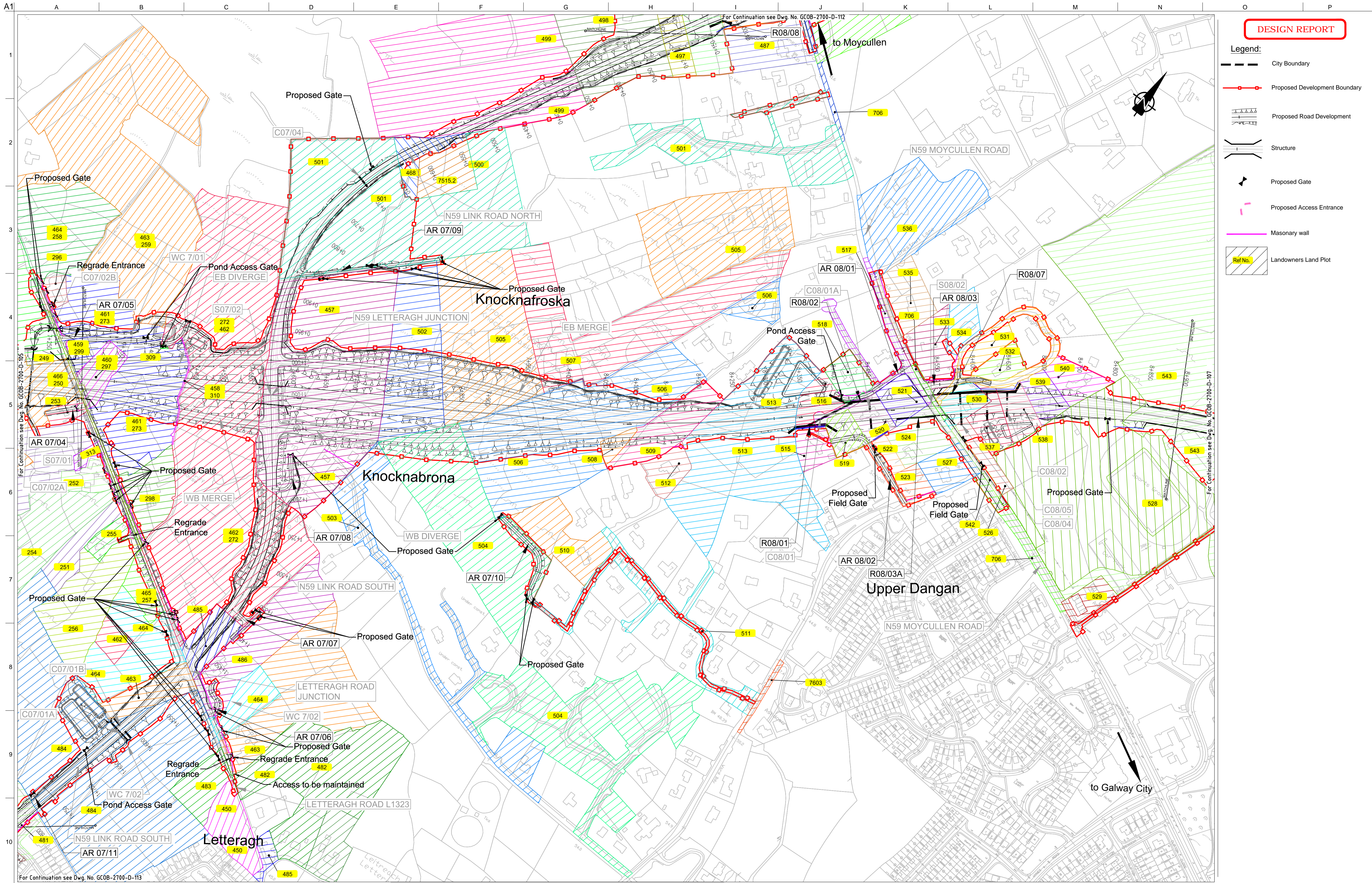
Drawing Title
Accommodation Works Plan
CH.5+800 to CH.7+300
Sheet 5 of 15

Drawing Status
For Information

Job No
233985

Drawing No
GCOB-2700-D-105

Issue
14



DESIGN REPORT

- Legend:**
- City Boundary
 - Proposed Development Boundary
 - Proposed Road Development
 - Structure
 - Proposed Gate
 - Proposed Access Entrance
 - Masonry wall
 - Landowners Land Plot

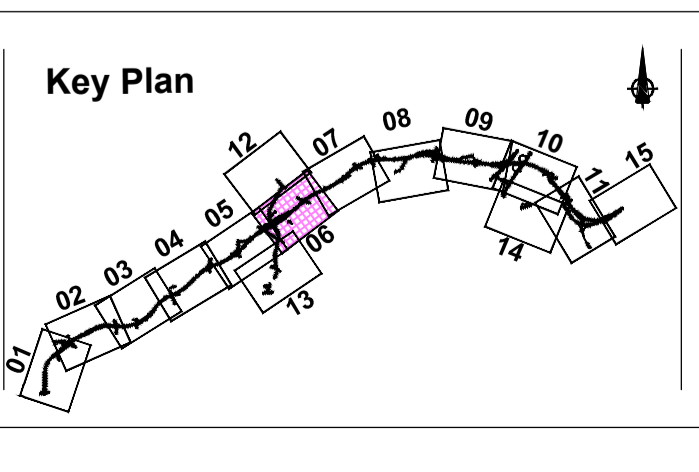
San áiríonn tá sonraíocht Shuirbhíreachtóirí Ordánas Éireann arna aistriú go dtí faoi Cheadúnas OSI Umh. 2010/19CCMA/Comhairle Contae na Gaillimhe. Sírúinn aistriú go dtí na comhairleoirí cónaíche Shuirbhíreachtóirí Ordánas Éireann agus Bialas na hÉireann. © Suirbhíreachtóirí Ordánas Éireann, 2010.

© Suirbhíreachtóirí Ordánas Éireann. Gach ceart ar chosaint.
Umhír cheadúnas 2010/19CCMA/Comhairle Contae na Gaillimhe.

Includes Ordnance Survey Ireland data reproduced under OSI Licence number 2010/19CCMA/Galway County Council. Unauthorised reproduction infringes Ordnance Survey Ireland and Government of Ireland copyright. © Ordnance Survey Ireland, 2010.

© Ordnance Survey Ireland. All rights reserved. Licence number 2010/19CCMA/Galway County Council.

Clients



Consultant

Corporate House
City East Business Park
Ballybrit, Galway, Ireland.

Tel +353 (0)91 460675
www.N6GalwayCity.ie
www.arup.ie

Job Title
N6 Galway City Ring Road

Scale
1:5000 @ A3

Date:
February 2018

Issue	Date	By	Chkd	Appd
I4	14/02/2019	KJ	HK	EMC
I3	26/07/2018	KJ	HK	EMC
I2	10/04/2018	KJ	MH	EMC
I1	22/02/2018	KJ	MH	EMC

Drawing Title
Accommodation Works Plan
CH.7+300 to CH.8+900
Sheet 6 of 15

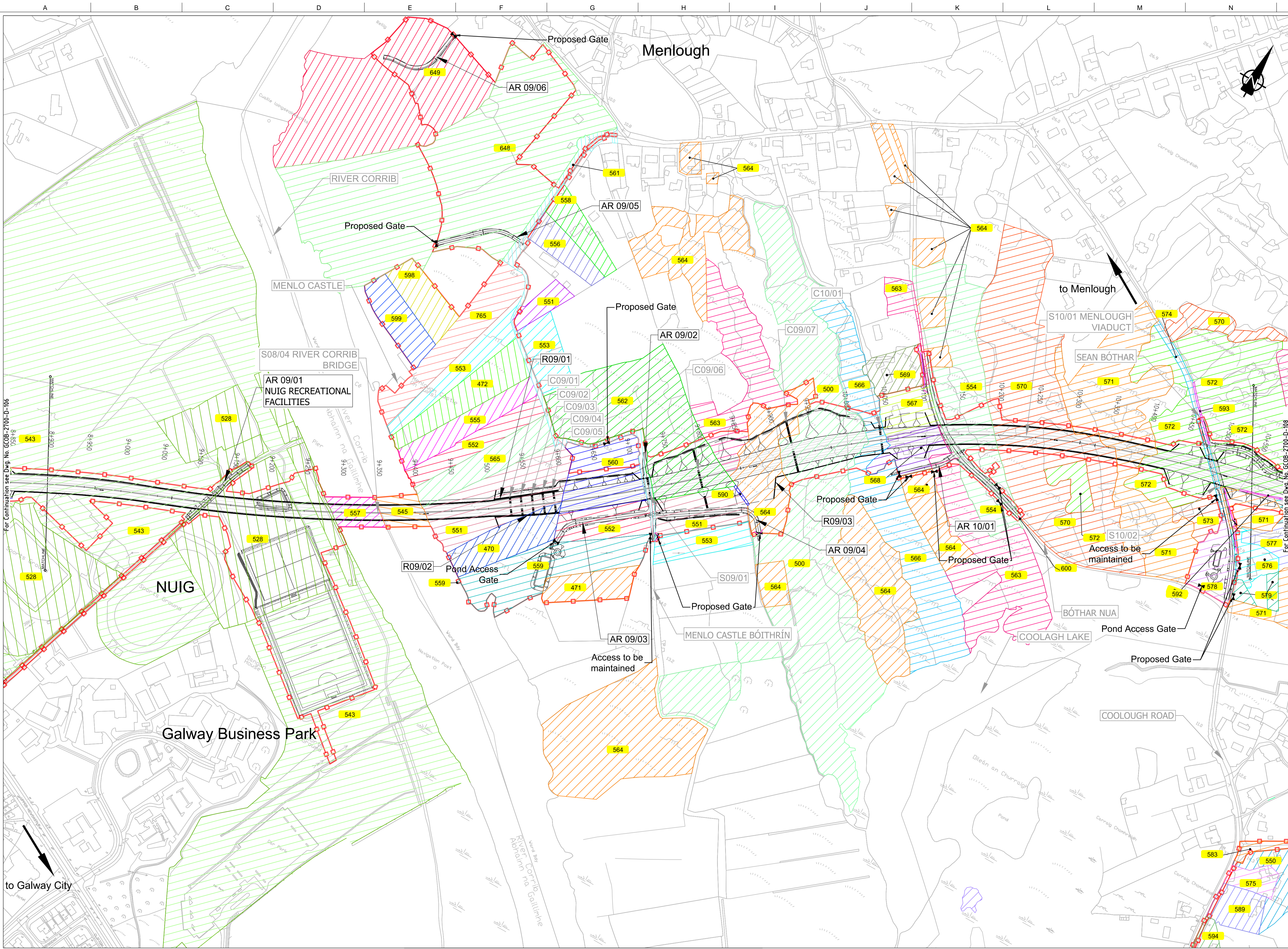
Drawing Status
For Information

Job No
233985

Drawing No
GCOB-2700-D-106

Issue
14

A1
1
2
3
4
5
6
7
8
9
10



DESIGN REPORT

Legend:

- City Boundary
- Proposed Development Boundary
- Proposed Road Development
- Structure
- Proposed Gate
- Proposed Access Entrance
- Masonry wall
- Landowners Land Plot

Son áireamh tá sonraíocht Shuirbhíreachtí Ordánais Éireann arna aistriú go dtí foirm Cheadúnas OSI Umh. 2010/19CCMA/Comhairle Contae na Gaillimhe. Sírtaíonn aistriú go dtí naomhúdaraithe cóipeacht Shuirbhíreachtí Ordánais Éireann agus Rialtas na hÉireann. © Suirbhíreachtí Ordánais Éireann, 2010.

© Suirbhíreachtí Ordánais Éireann. Gach ceart ar chosaint. Umhír cheadúnas 2010/19CCMA/Comhairle Contae na Gaillimhe.

Includes Ordnance Survey Ireland data reproduced under OSI Licence number 2010/19CCMA/Galway County Council. Unauthorised reproduction infringes Ordnance Survey Ireland and Government of Ireland copyright. © Ordnance Survey Ireland, 2010.

© Ordnance Survey Ireland. All rights reserved. Licence number 2010/19CCMA/Galway County Council.

Clients

Comhairle Chontae na Gaillimhe
Galway County Council

Galway City Transport Project

Key Plan

Consultant

ARUP

Corporate House
City East Business Park
Ballybrit, Galway, Ireland.

Tel +353 (0)91 460675
www.N6GalwayCity.ie
www.arup.ie

Job Title
N6 Galway City Ring Road

Scale
1:5000 @ A3

Date:
February 2018

Drawing Title
Accommodation Works Plan
CH.8+900 to CH.10+550
Sheet 7 of 15

Drawing Status

For Information

Issue	Date	By	Chkd	Appd
I4	14/02/2019	KJ	HK	EMC
I3	26/07/2018	KJ	HK	EMC
I2	10/04/2018	KJ	MH	EMC
I1	22/02/2018	KJ	MH	EMC

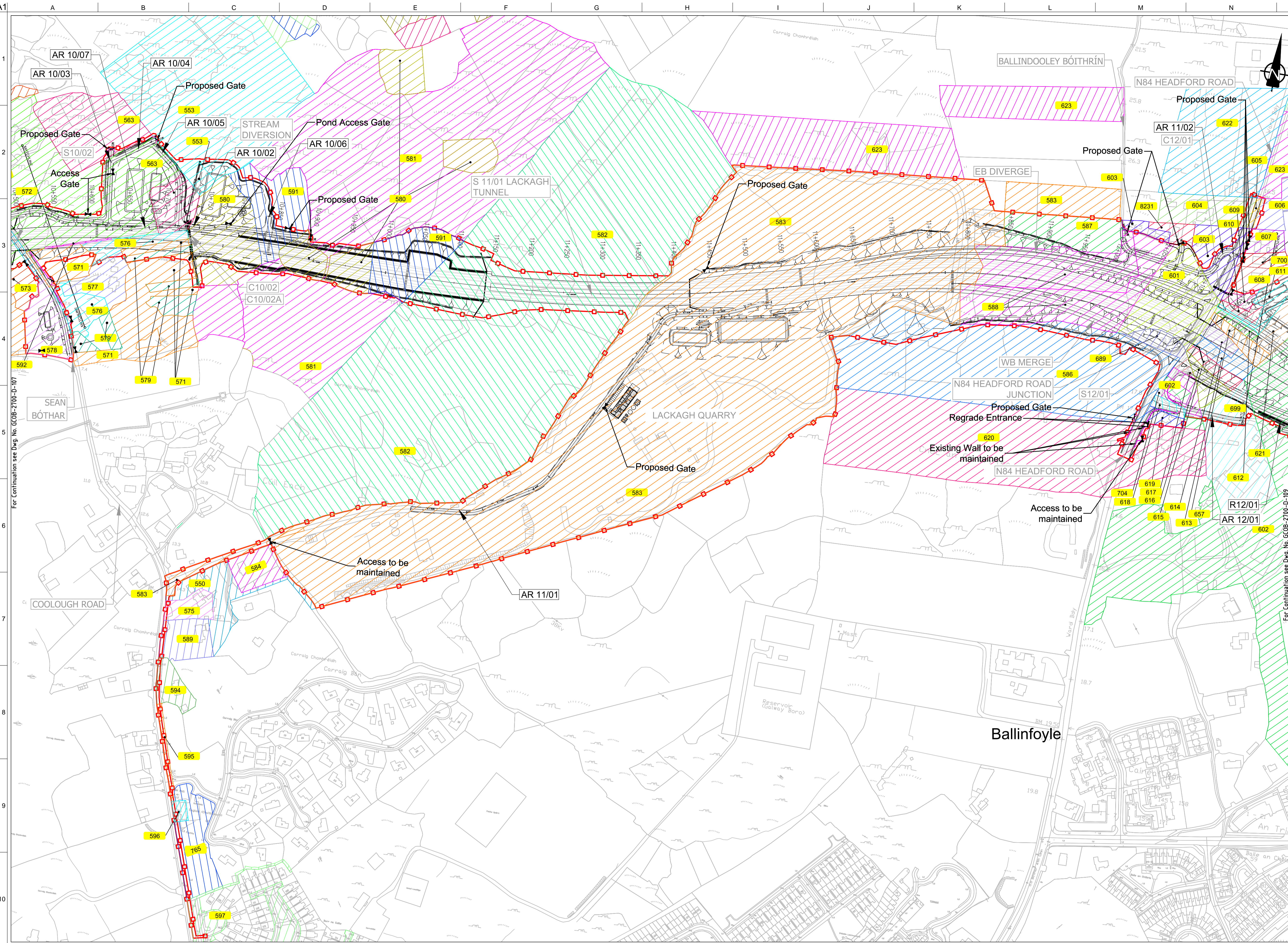
Job No
233985

Drawing No
GCOB-2700-D-107

Issue
14

DESIGN REPORT

- Legend:**
- City Boundary
 - Proposed Development Boundary
 - Proposed Road Development
 - Structure
 - Proposed Gate
 - Proposed Access Entrance
 - Masonry wall
 - Landowners Land Plot



San áirneamh tá sonraíocht Shuirbhíreachtóirí Ordnáns Éireann arna aistriú go dtí foirm Cheadúnas OSI Uimh. 2010/19CCMA/Comhairle Contae na Gaillimhe. Sírtaíonn aistriú naomhúdaraithe cóipeacht Shuirbhíreachtóirí Ordnáns Éireann agus Rialtas na hÉireann. © Shuirbhíreachtóirí Ordnáns Éireann, 2010.

© Shuirbhíreachtóirí Ordnáns Éireann. Gach ceart ar chosaint. Uimhir cheadúnais 2010/19CCMA/Comhairle Contae na Gaillimhe.

Includes Ordnance Survey Ireland data reproduced under OSI Licence number 2010/19CCMA/Galway County Council. Unauthorised reproduction infringes Ordnance Survey Ireland and Government of Ireland copyright. © Ordnance Survey Ireland, 2010.

© Ordnance Survey Ireland. All rights reserved. Licence number 2010/19CCMA/Galway County Council.

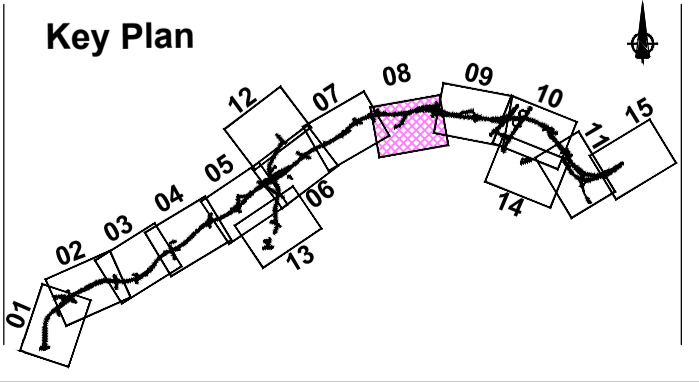
Clients

Comhairle Chontae na Gaillimhe
Galway County Council

Galway City Transport Project

An Roinn Iompair
Turasóireachta agus Spóirt

TIU
Bonnagar Iompair Éireann



Consultant

ARUP

Corporate House
City East Business Park
Ballybrit, Galway, Ireland.

Tel +353 (0)91 460675
www.N6GalwayCity.ie
www.arup.ie

Job Title
N6 Galway City Ring Road

Scale
1:5000 @ A3

Date:
February 2018

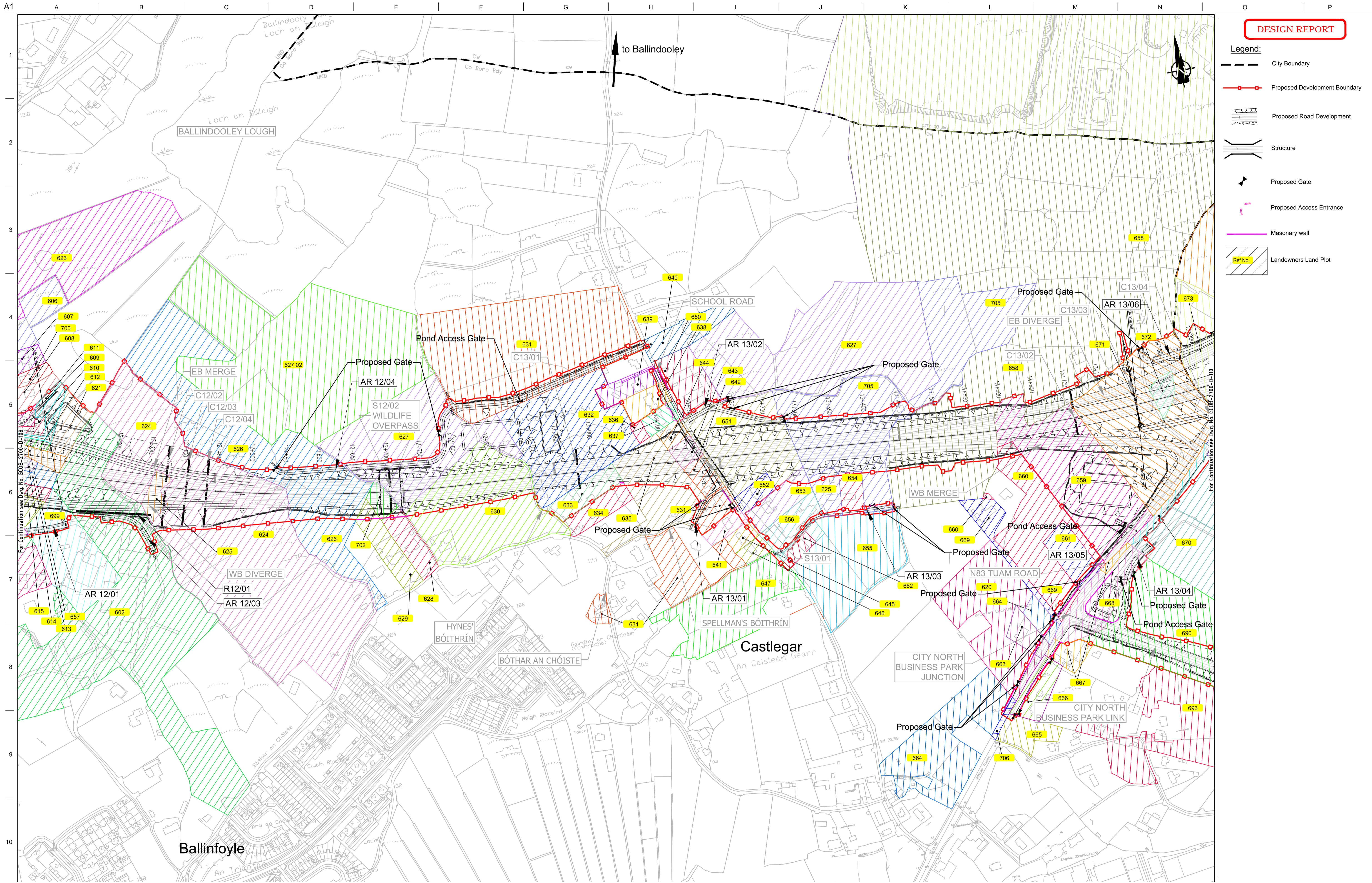
I4	14/02/2019	KJ	HK	EMC
I3	26/07/2018	KJ	HK	EMC
I2	10/04/2018	KJ	MH	EMC
I1	22/02/2018	KJ	MH	EMC
Issue	Date	By	Chkd	Appd

Drawing Title
Accommodation Works Plan
CH.10+550 to CH.12+200
Sheet 8 of 15

Drawing Status

For Information

Job No	Drawing No	Issue
233985	GCOB-2700-D-108	14



DESIGN REPORT

- Legend:**
- City Boundary
 - Proposed Development Boundary
 - Proposed Road Development
 - Structure
 - Proposed Gate
 - Proposed Access Entrance
 - Masonry wall
 - Landowners Land Plot

San áireamh tá sonraíocht Shuirbhéireachtí Ordánais Éireann arna aistriú go dtailéad faoi Cheadúnas OSI Uimh. 2010/19CCMA/Comhairle Contae na Gaillimhe. Sírtaíonn aistriú go dtailéad na cópícheart Shuirbhéireachtí Ordánais Éireann agus Rialtas na hÉireann. © Suirbhéireachtí Ordánais Éireann, 2010.

© Suirbhéireachtí Ordánais Éireann. Gach ceart ar chosaint. Uimhir cheadúnais 2010/19CCMA/Comhairle Contae na Gaillimhe.

Includes Ordnance Survey Ireland data reproduced under OSI Licence number 2010/19CCMA/Galway County Council. Unauthorised reproduction infringes Ordnance Survey Ireland and Government of Ireland copyright. © Ordnance Survey Ireland, 2010.

© Ordnance Survey Ireland. All rights reserved. Licence number 2010/19CCMA/Galway County Council.

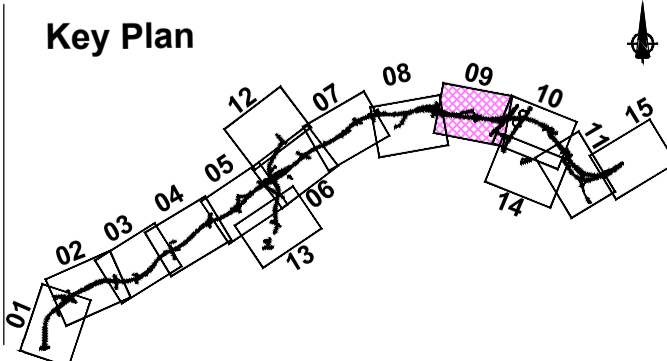
Clients

Comhairle Chontae na Gaillimhe
Galway County Council

N6
Galway City Transport Project

An Roinn Iompair
Turasóireachta agus Spóirt

TIU
Bonnagar Iompair Éireann



Consultant

ARUP

Corporate House
City East Business Park
Ballybrit, Galway, Ireland.

Tel +353 (0)91 460675
www.N6GalwayCity.ie
www.arup.ie

Job Title
N6 Galway City Ring Road

Scale
1:5000 @ A3

Date:
February 2018

I4	14/02/2019	KJ	HK	EMC
I3	26/07/2018	KJ	HK	EMC
I2	10/04/2018	KJ	MH	EMC
I1	22/02/2018	KJ	MH	EMC
Issue	Date	By	Chkd	Appd

Drawing Title
Accommodation Works Plan
CH.12+200 to CH.13+800
Sheet 9 of 15

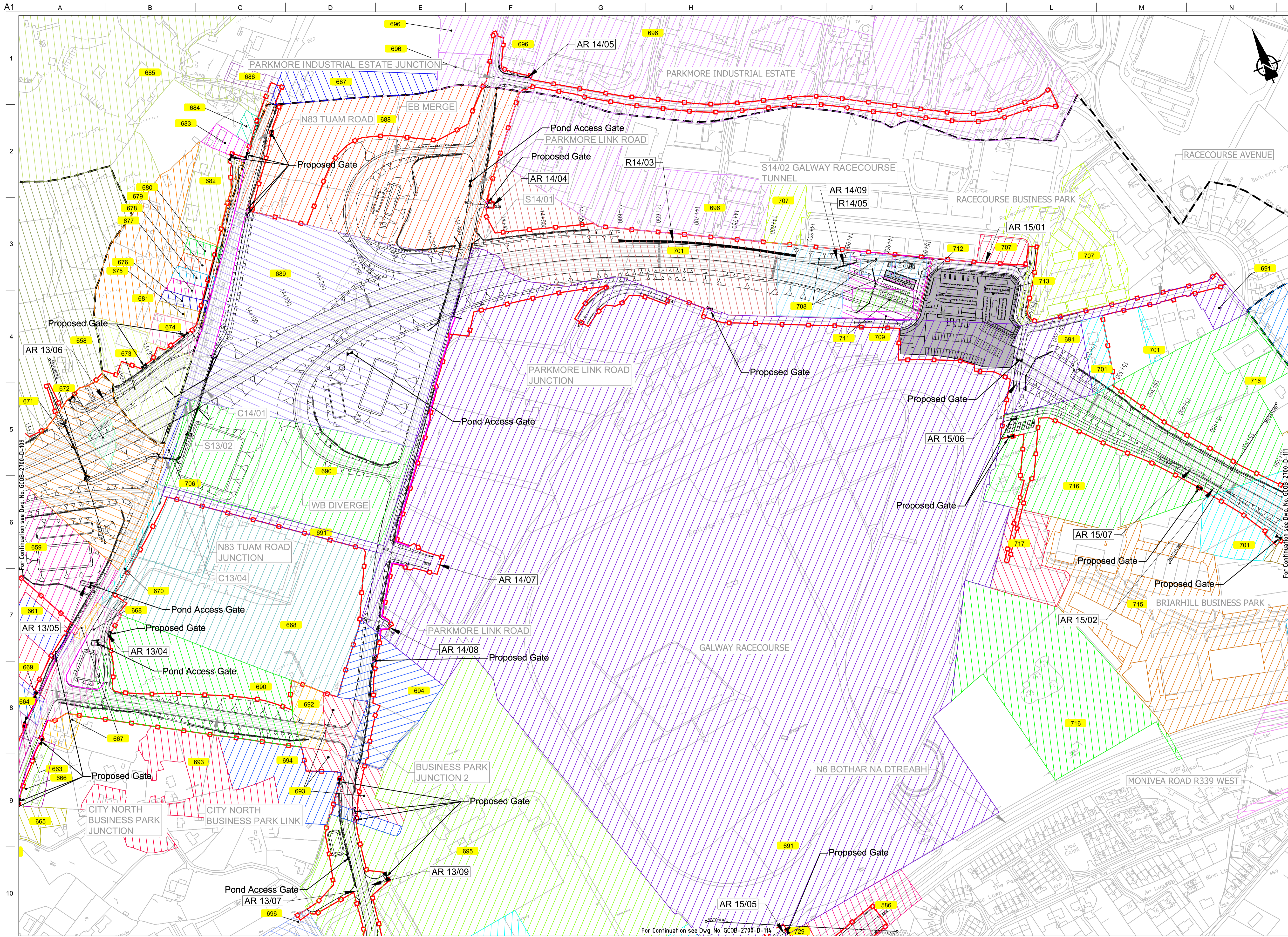
Drawing Status

For Information

Job No	Drawing No	Issue
233985	GCOB-2700-D-109	14

DESIGN REPORT

- Legend:**
- City Boundary
 - Proposed Development Boundary
 - Proposed Road Development
 - Structure
 - Proposed Gate
 - Proposed Access Entrance
 - Masonry wall
 - Landowners Land Plot



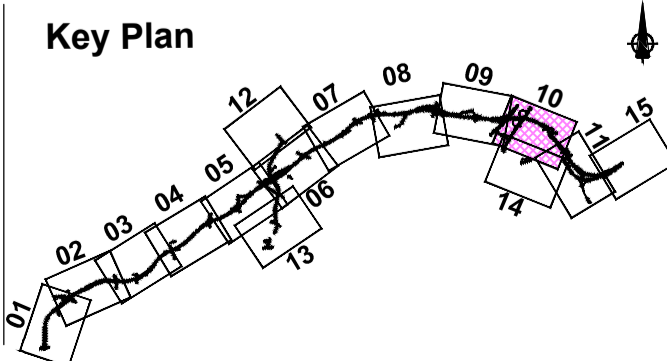
San áireamh tá sonraíocht Shuirbhíreachtí Ordánais Éireann arna aistriú go dtailíocht físe Chéadainn OSI Uimh. 2010/19CCMA/Comhairle Contae na Gaillimhe. Sírtaíon aistriú go dtailíocht físe còipeacht Shuirbhíreachtí Ordánais Éireann agus Riailtas na hÉireann. © Shuirbhíreachtí Ordánais Éireann, 2010.

© Shuirbhíreachtí Ordánais Éireann. Gach ceart ar chosaint. Uimhir chéadainn 2010/19CCMA/Comhairle Contae na Gaillimhe.

Includes Ordnance Survey Ireland data reproduced under OSI Licence number 2010/19CCMA/Galway County Council. Unauthorised reproduction infringes Ordnance Survey Ireland and Government of Ireland copyright. © Ordnance Survey Ireland, 2010.

© Ordnance Survey Ireland. All rights reserved. Licence number 2010/19CCMA/Galway County Council.

Clients



Consultant

Corporate House
City East Business Park
Ballybrit, Galway, Ireland.

Tel +353 (0)91 460675
www.N6GalwayCity.ie
www.arup.ie

Job Title
N6 Galway City Ring Road

Scale
1:5000 @ A3

Date
February 2018

I4	14/02/2019	KJ	HK	EMC
I3	26/07/2018	KJ	HK	EMC
I2	16/03/2018	KJ	MH	EMC
I1	22/02/2018	KJ	MH	EMC
Issue	Date	By	Chkd	Appd

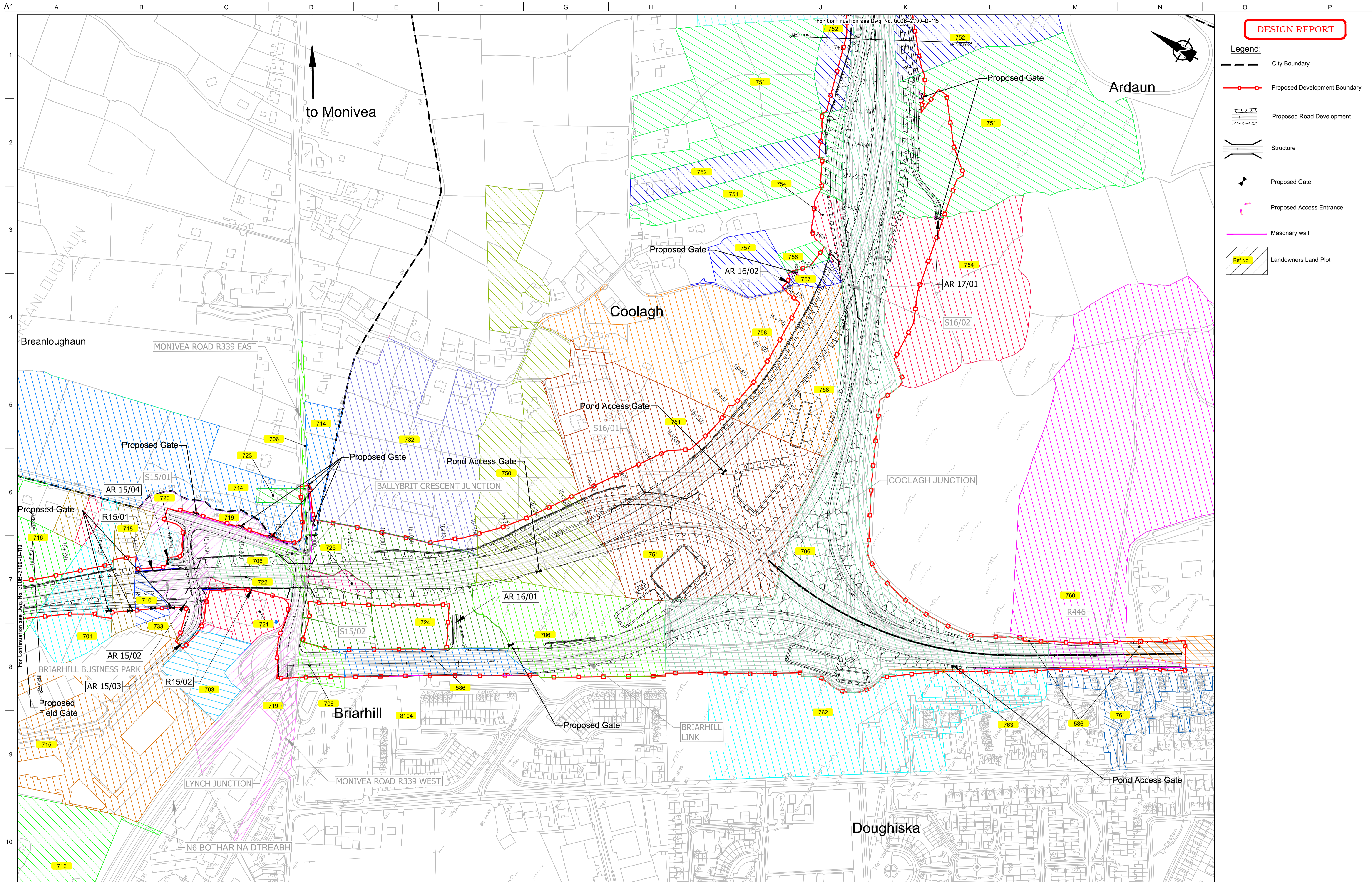
Drawing Title
Accommodation Works Plan
CH.13+800 to CH.15+500
Sheet 10 of 15

Drawing Status
For Information

Job No
233985

Drawing No
GCOB-2700-D-110

Issue
14



DESIGN REPORT

Legend:

- City Boundary
- Proposed Development Boundary
- Proposed Road Development
- Structure
- Proposed Gate
- Proposed Access Entrance
- Masonry wall
- Landowners Land Plot

San áireamh tá sonraíocht Shuirbhíreachtú Ordnáis Éireann arna aistriú go dtí faoi Cheadúnas OSI Uimh. 2010/19CCMA/Comhairle Contae na Gaillimhe. Sírúntas aistriú go dtí naomhúdaraithe cóipeacht Shuirbhíreachtú Ordnáis Éireann agus Bialas na hÉireann. © Suirbhíreachtú Ordnáis Éireann, 2010.

© Suirbhíreachtú Ordnáis Éireann. Gach ceart ar chosaint.
Uimhir cheadúnais 2010/19CCMA/Comhairle Contae na Gaillimhe.

Includes Ordnance Survey Ireland data reproduced under OSI Licence number 2010/19CCMA/Galway County Council.
Unauthorised reproduction infringes Ordnance Survey Ireland and Government of Ireland copyright. © Ordnance Survey Ireland, 2010.

© Ordnance Survey Ireland. All rights reserved. Licence number 2010/19CCMA/Galway County Council.

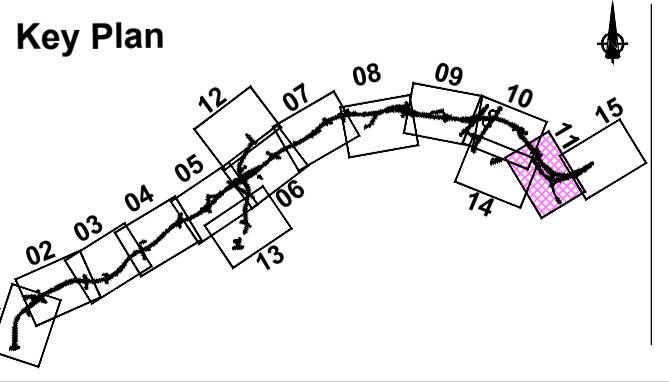
Clients

Comhairle Chontae na Gaillimhe
Galway County Council

N6
Galway City Transport Project

An Roinn Iompair
Turasoireacht agus Spóirt

TIU
Bonnagar Iompair Éireann



Consultant

ARUP

Corporate House
City East Business Park
Ballybrit, Galway, Ireland.

Tel +353 (0)91 460675
www.N6GalwayCity.ie
www.arup.ie

Job Title
N6 Galway City Ring Road

Scale
1:5000 @ A3

Date
February 2018

Issue	Date	By	Chkd	Appd
I4	14/02/2019	KJ	HK	EMC
I3	26/07/2018	KJ	HK	EMC
I2	10/04/2018	KJ	MH	EMC
I1	22/02/2018	KJ	MH	EMC

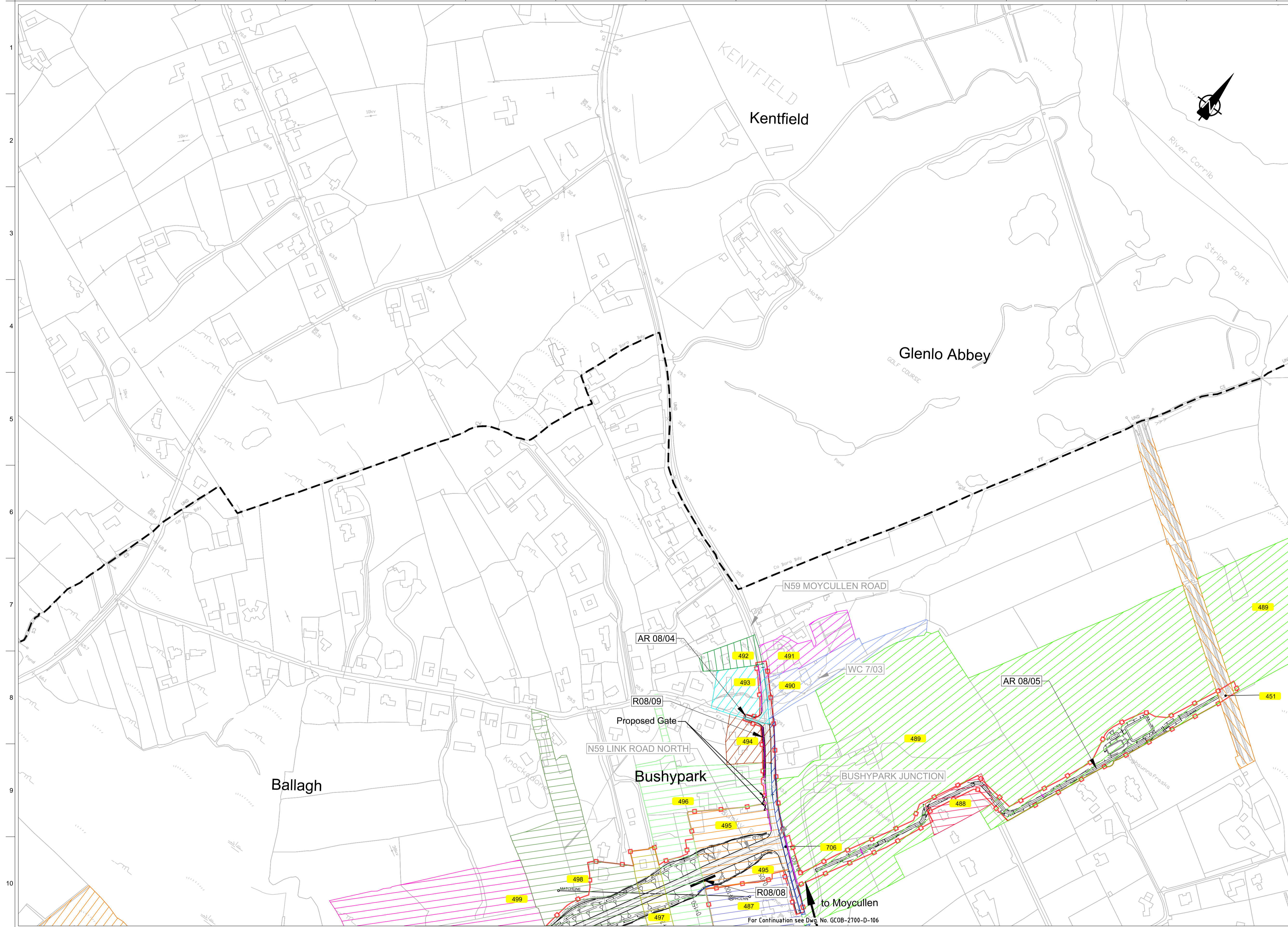
Drawing Title
Accommodation Works Plan
CH.15+500 to CH.17+540 (End of Scheme)
Sheet 11 of 15

Drawing Status
For Information

Job No
233985

Drawing No
GCOB-2700-D-111

Issue
14



DESIGN REPORT

Legend:

- City Boundary
- Proposed Development Boundary
- Proposed Road Development
- Structure
- Proposed Gate
- Proposed Access Entrance
- Masonry wall
- Landowners Land Plot

San áiríamh tá sonraíocht Shuirbhíreacht Ordnáis Éireann arna áitirgeadh faoi Cheadúnas OSI Uimh. 2010/19CCMA/Comhairle Contae na Gaillimhe. Sírtaíon áitirgeadh neamhdáraithe cóipeacht Shuirbhíreacht Ordnáis Éireann agus Rialtas na hÉireann. © Suirbhíreacht Ordnáis Éireann, 2010.

© Suirbhíreacht Ordnáis Éireann. Gach ceart ar chosaint. Uimhir cheadúnais 2010/19CCMA/Comhairle Contae na Gaillimhe.

Includes Ordnance Survey Ireland data reproduced under OSI Licence number 2010/19CCMA/Galway County Council. Unauthorised reproduction infringes Ordnance Survey Ireland and Government of Ireland copyright. © Ordnance Survey Ireland, 2010.

© Ordnance Survey Ireland. All rights reserved. Licence number 2010/19CCMA/Galway County Council.

Clients

Comhairle Chontae na Gaillimhe
Galway County Council

Galway City Transport Project

An Roinn Iompair Turasóireachta agus Spóirt
Department Transport, Tourism and Sport

TIU
Bonnagar Iompair Éireann
Transport Infrastructure Unit

Key Plan

Consultant

ARUP

Corporate House
City East Business Park
Ballybrit, Galway, Ireland.

Tel +353 (0)91 460675
www.N6GalwayCity.ie
www.arup.ie

Job Title
N6 Galway City Ring Road

Scale
1:5000 @ A3

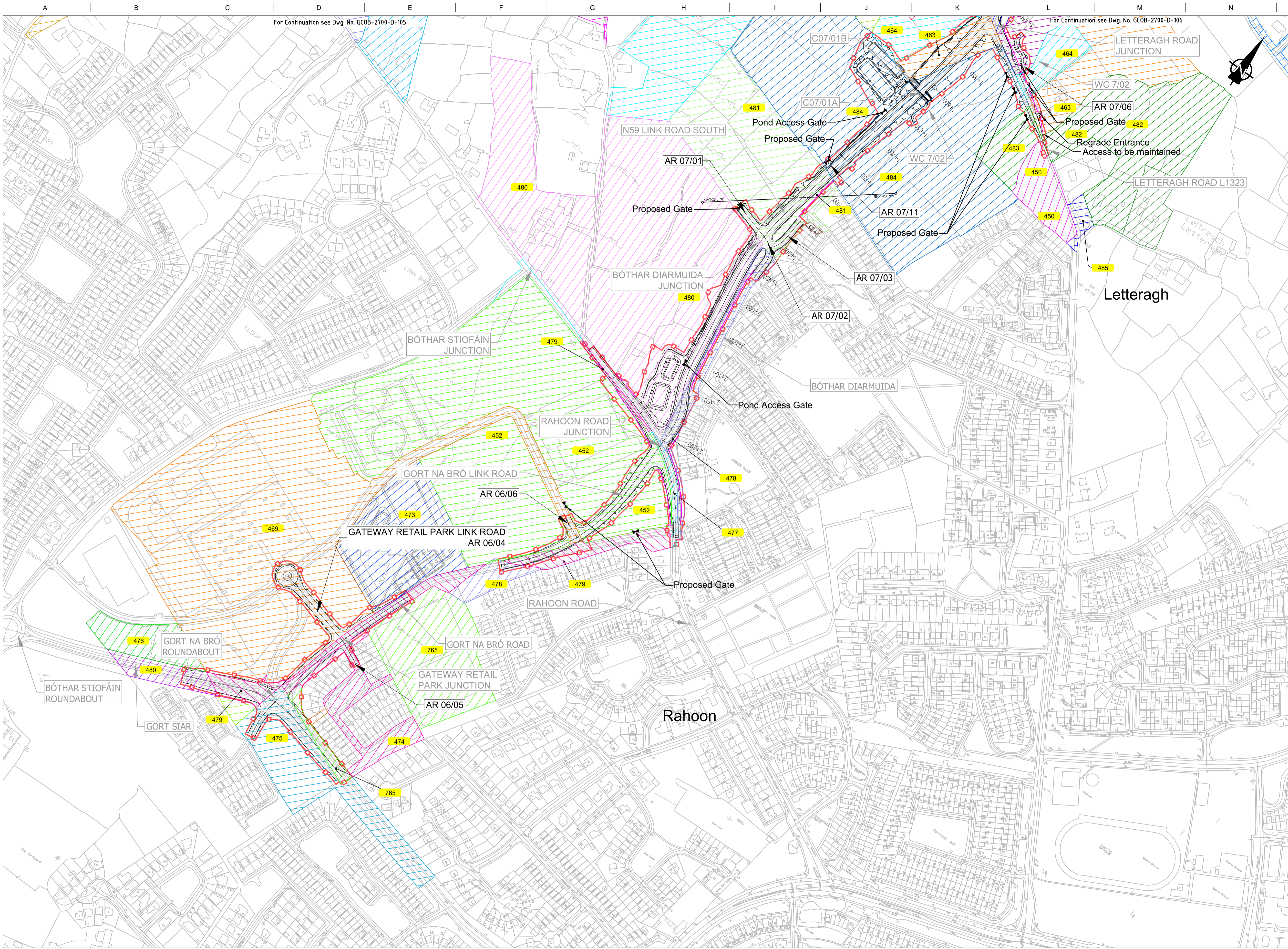
Date:
February 2018

Issue	Date	By	Chkd	Appd
I4	14/02/2019	KJ	HK	EMC
I3	26/07/2018	KJ	HK	EMC
I2	10/04/2018	KJ	MH	EMC
I1	22/02/2018	KJ	MH	EMC

For Information

Job No	Drawing No	Issue
233985	GCOB-2700-D-112	14

A1
1
2
3
4
5
6
7
8
9
10



DESIGN REPORT

Legend:

- City Boundary
- Proposed Development Boundary
- Proposed Road Development
- Structure
- Proposed Gate
- Proposed Access Entrance
- Masonry wall
- Landowners Land Plot

Son áireamh tá sonraíocht Shuirbhíreachtú Ordnáis Éireann arna áitirgeadh faoi Cheadúnas OSI Uimh. 2010/19CCMA/Comhairle Contae na Gaillimhe. Sírtaonn áitirgeadh neamhúdaraithe cóipeacht Shuirbhíreachtú Ordnáis Éireann agus Riailtas na hÉireann. © Suirbhíreachtú Ordnáis Éireann, 2010.

© Suirbhíreachtú Ordnáis Éireann. Gach ceart ar chosaint.
Uimhir cheadúnais 2010/19CCMA/Comhairle Contae na Gaillimhe.

Includes Ordnance Survey Ireland data reproduced under OSI Licence number 2010/19CCMA/Galway County Council.
Unauthorised reproduction infringes Ordnance Survey Ireland and Government of Ireland copyright. © Ordnance Survey Ireland, 2010.

© Ordnance Survey Ireland. All rights reserved. Licence number 2010/19CCMA/Galway County Council.

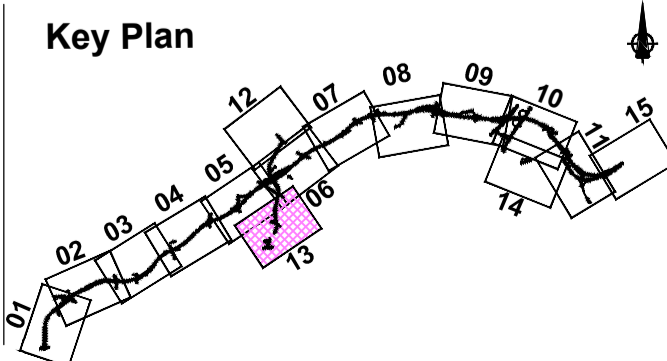
Clients

Comhairle Chontae na Gaillimhe
Galway County Council

Galway City Transport Project

An Roinn Iompair
Turasoireachta agus Spóirt

TIU
Bonnagar Iompair Éireann



Consultant

ARUP

Corporate House
City East Business Park
Ballybrit, Galway, Ireland.

Tel +353 (0)91 460675
www.N6GalwayCity.ie
www.arup.ie

Job Title
N6 Galway City Ring Road

Scale
1:5000 @ A3

Date:
February 2018

I4	14/02/2019	KJ	HK	EMC
I3	26/07/2018	KJ	HK	EMC
I2	10/04/2018	KJ	MH	EMC
I1	22/02/2018	KJ	MH	EMC
Issue	Date	By	Chkd	Appd

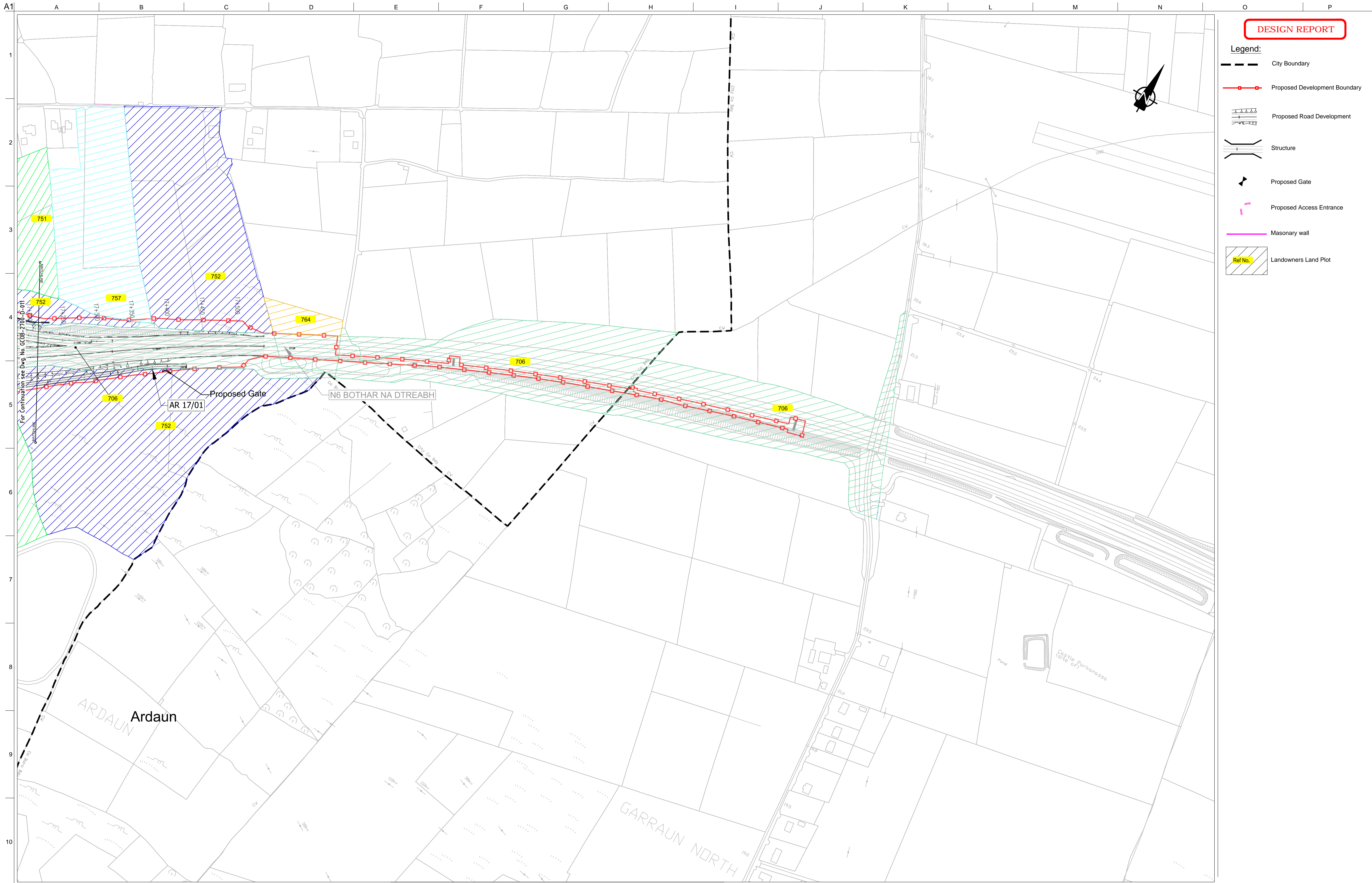
Drawing Title
Accommodation Works Plan
N59 Link Road South
Sheet 13 of 15

Drawing Status
For Information

Job No
233985

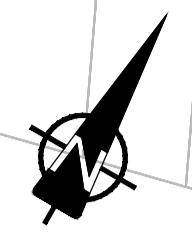
Drawing No
GCOB-2700-D-113

Issue
14



DESIGN REPORT

- Legend:**
- City Boundary
 - Proposed Development Boundary
 - Proposed Road Development
 - Structure
 - Proposed Gate
 - Proposed Access Entrance
 - Masonary wall
 - Landowners Land Plot



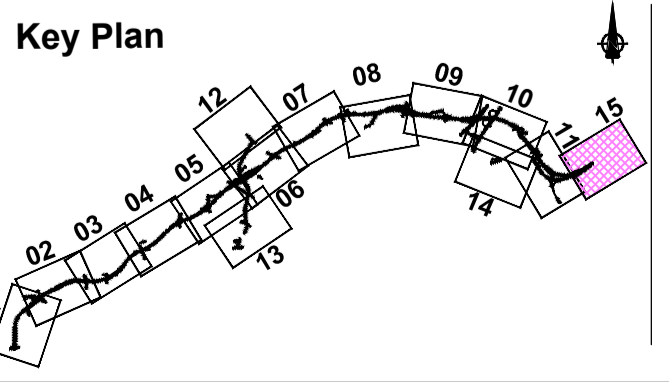
San áiríamh tá sonraíochtaí Shuirbhíreachtí Ordánáis Éireann arna aistriú go dtí foirm Cheadúnas OSi Uimh. 2010/19CCMA/Comhairle Contae na Gaillimhe. Sírúinn aistriú go dtí foirm neamhdáraithe cóipeacht Shuirbhíreachtí Ordánáis Éireann agus Rialtas na hÉireann. © Suirbhíreachtí Ordánáis Éireann, 2010.

© Suirbhíreachtí Ordánáis Éireann. Gach ceart ar chosaint. Uimhir cheadúnais 2010/19CCMA/Comhairle Contae na Gaillimhe.

Includes Ordnance Survey Ireland data reproduced under OSI Licence number 2010/19CCMA/Galway County Council. Unauthorised reproduction infringes Ordnance Survey Ireland and Government of Ireland copyright. © Ordnance Survey Ireland, 2010.

© Ordnance Survey Ireland. All rights reserved. Licence number 2010/19CCMA/Galway County Council.

Clients



Consultant

Corporate House
City East Business Park
Ballybrit, Galway, Ireland.

Tel +353 (0)91 460675
www.N6GalwayCity.ie
www.arup.ie

Job Title
N6 Galway City Ring Road

Scale
1:5000 @ A3

Date:
February 2018

Issue	Date	By	Chkd	Appd
I4	14/02/2019	KJ	HK	EMC
I3	26/07/2018	KJ	HK	EMC
I2	10/04/2018	KJ	MH	EMC
I1	22/02/2018	KJ	MH	EMC

Drawing Title
Accommodation Works Plan
CH.17+540 (End of Scheme) to Existing N6 (-CH.18+550)
Sheet 15 of 15

For Information

Job No	Drawing No	Issue
233985	GCOB-2700-D-115	14